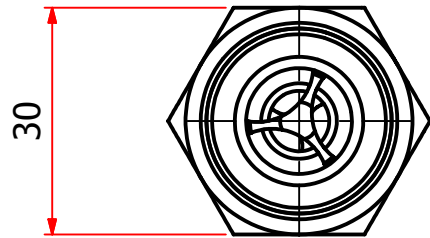
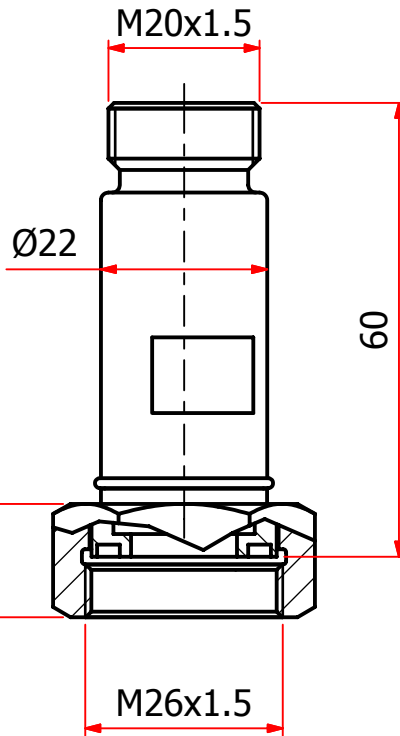


# TECHNICAL FEATURES:



30



- BODY MATERIAL : Aluminium 6082 (Al Mg Si1) anodized
- O.RING MATERIAL : EPDM70 (included)
- TEMPERATURE RANGE : from -40°C to 100°C
- PASSAGE SECTION : 30 mmq
- LEAKAGE RATE :  $<1 \times 10^{-7}$  mbar x l/s.
- BATCH NUMBER AND EMD (Electronsystem MD identification) ARE PRINTED ON VALVE.
- EACH VALVES ARE PACKED WITH O.RINGS

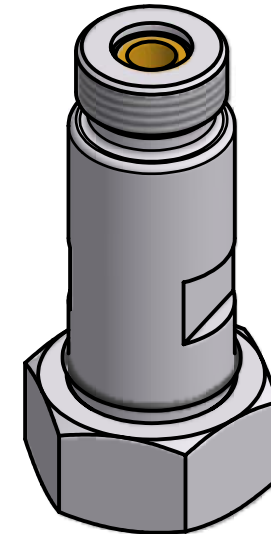


Fig.	Material/Materiale	N° Series / Serie	Finishing / Finitura						
Filing Room Archivio	Thread quality tolerance Tolleranza filetti qualità "6g-6S" UNI 5541-65	General tolerance for machining / Tolleranze generali per lavorazioni meccaniche: Coord. Punching N.C. mach. Coord. punzon. a C.N. JS11	Quality for linear dimension Qualità per quote lineari						
Prep. Dis. M. BOSISIO	Resp. Dep. Uff. Tecnico	Title Titolo <b>Coupling type "VALV25/AL/2"</b>	<table border="1"> <tr> <td>Extra fine / Fine</td> <td>JS12</td> </tr> <tr> <td>Median / Media</td> <td>JS13</td> </tr> <tr> <td>Coarse / Grossolana</td> <td>JS15</td> </tr> </table>	Extra fine / Fine	JS12	Median / Media	JS13	Coarse / Grossolana	JS15
Extra fine / Fine	JS12								
Median / Media	JS13								
Coarse / Grossolana	JS15								
App. App. P. CIBOLDI	Rev./Mod. 0   09.05.2007 : Emissione nuovo disegno	Apparatus Apparecchio	<table border="1"> <tr> <td>Scale Scala</td> <td>1:1</td> </tr> <tr> <td>Sh. No. N°</td> <td>1</td> </tr> <tr> <td>Pag.</td> <td>1</td> </tr> </table>	Scale Scala	1:1	Sh. No. N°	1	Pag.	1
Scale Scala	1:1								
Sh. No. N°	1								
Pag.	1								
Piano di Campionamento (UNI ISO 2859) We reserve all rights in this document and in the information contained therein. Reproduction, use or disclosure to third parties without express authority is strictly forbidden. Ci riserviamo tutti i diritti connessi con il presente documento e con l'oggetto o la materia ivi rappresentati con divieto di riprodurlo, utilizzarlo o renderlo accessibile a terzi in assenza di previa autorizzazione.		<b>ELECTRONSYSTEM MD S.r.l.</b> Doc. No. <b>43902615</b>							
LIVELLO	LQA								
L2	1								