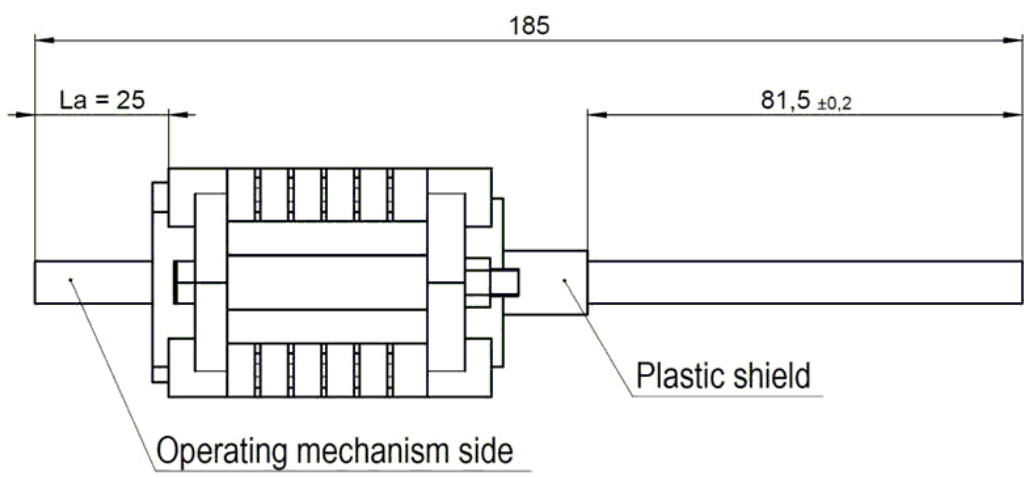
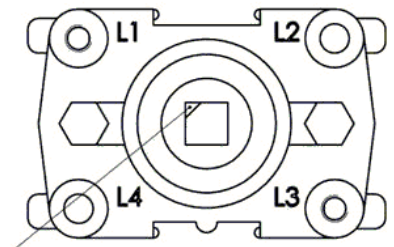


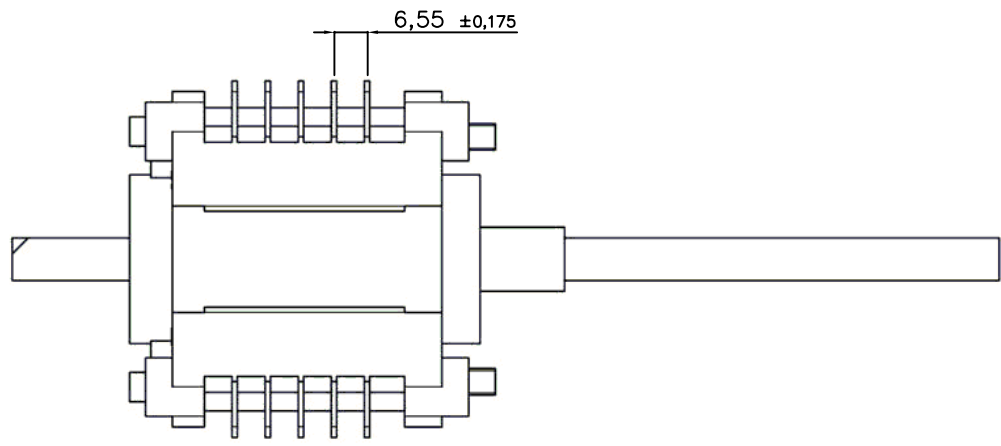
Rev./Mod Data Description:  
 Rev./Mod Description:  
 Data 11.07.2011 ADD QUOTES AND UL V0  
 Rev./Mod E Description: ADD QUOTES  
 Data 07.04.2011 ADD QUOTES  
 Rev./Mod D Description: ADD QUOTES  
 Data 01.04.2011 ADDING PIN ADDED  
 Rev./Mod C Description: FIXING PIN ADDED  
 Data 09.02.2011 ADD QUOTE  
 Rev./Mod B Description: ADD QUOTE  
 Data 26.01.2011 DATA ADDED  
 Rev./Mod A Description: DATA ADDED



Operating mechanism side: Position, contacting L1 to L3



Chamfer for position indication



Terminal designation:

The terminal designations for the switches are continuous: 1 to 20. Numbering begins at the operating mechanism on the top left and continues in a clockwise direction individual switching levels.

Switching function for switching level:

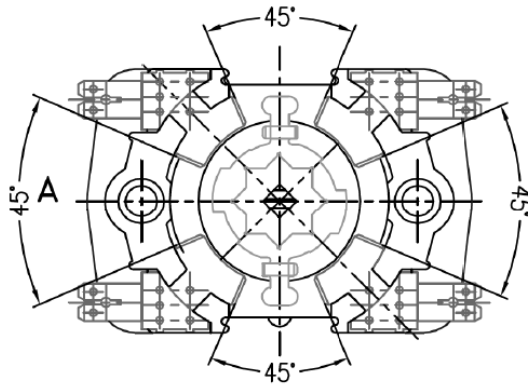
1. NC contact - NO contact
2. NC contact - NO contact
3. NC contact - NO contact
4. NC contact - NO contact
5. NC contact - NO contact

		Switchingelement				
		1	2	3	4	5
Conductor connections	L1	1	5	9	13	17
	L2	2	6	10	14	18
	L3	3	7	11	15	19
	L4	4	8	12	16	20

Fig.	Material/Materiale	N° Series / Serie	Finishing / Finitura
Filing Room Archivio	Thread quality tolerance Tolleranza filetti qualita' "6g-6S" UNI 5541-65	General tolerance for machining / Tolleranze generali per lavorazioni meccaniche: Coord.Punching N.C. mach. Coord. punzon. a C.N. JS11	Quality for linear dimension Qualita' per quote lineari
Prep. Dis. G. FORLANI	Resp. Dep. Uff. Tecnico	Title Titolo	Extra fine / Fine JS12 Median / Media JS13 Coarse / Grossolana JS15
App. App. P. GUIZZETTI	Uff. Tecnico	ROTARY AUXILIARY SWITCH 10 POLES	Lang. Lingua
Rev./Mod.	0   07.05.2010 : Emissione nuovo disegno	Apparatus Apparecchio	Scale Scala
ELECTRONSYSTEM MD S.r.l.		43911052	1:1 Sh.No. N° Pag. 1/2

Piano di Campionamento (UNI ISO 2859)		We reserve all rights in this document and in the information contained therein. Reproduction, use or disclosure to third parties without express authority is strictly forbidden.  Ci riserviamo tutti i diritti connessi con il presente documento e con l'oggetto o la materia ivi rappresentati con divieto di riprodurlo, utilizzarlo o renderlo accessibile a terzi in assenza di previa autorizzazione.
LIVELLO	LQA	
L2	1	

Data

Rev./Mod  
Descrizione:Data 11.07.2011  
Descrizione: ADD QUOTES AND UL V0Rev./Mod E  
Descrizione: ADD QUOTESData 07.04.2011  
Descrizione: ADD QUOTESRev./Mod D  
Descrizione: ADD QUOTESData 01.04.2011  
Descrizione: FIXING PIN ADDEDRev./Mod C  
Descrizione: FIXING PIN ADDEDData 09.02.2011  
Descrizione: ADD QUOTERev./Mod B  
Descrizione: ADD QUOTEData 26.01.2011  
Descrizione: DATA ADDED

CONTACT SHOWN IN OPEN CONDITION AND MOVING CONTACT PARKED IN THE CENTRE OF 2 FIXED CONTACTS

Special requirements						
Name	Unit					
Rated operating voltage	V	AC230 DC240				
Rated insulation voltage	V	AC 2000				
Conventional free air thermal current	A	10				
Rated frequency	Hz	DC or 40...60				
Mechanical service life	Cycles	100'000				
Rated short time withstand current	A	100/0,03 s				
Minimal making current	mA	2				
Breaking capability DC		240V	110V	60V	48V	24V
L/R = 20ms	A	2	4	7	9	10
Breaking capability AC		230V				
cos φ = 0.95	A	10				
Temperature limits	°C	-25 ÷ 90				
Vibration & bouncing	ms	<1				
Maximum operation torque in relation to five switching levels	Ncm	13				
Standard		IEC 62271-10 CLASS I				

Materials	
Matelial contact type	Silver plated on copper contact, without beryllium
Material end plates	Cast alluminium
Contact support	Plastic UL V0
Contact connection	AMP 6,3x0,8 tin plated

Piano di Campionamento (UNI ISO 2859)	
LIVELLO	LQA
L2	1

We reserve all rights in this document and in the information contained therein. Reproduction, use or disclosure to third parties without express authority is strictly forbidden.

Ci riserviamo tutti i diritti connessi con il presente documento e con l'oggetto o la materia ivi rappresentati con divieto di riprodurlo, utilizzarlo o renderlo accessibile a terzi in assenza di previa autorizzazione.

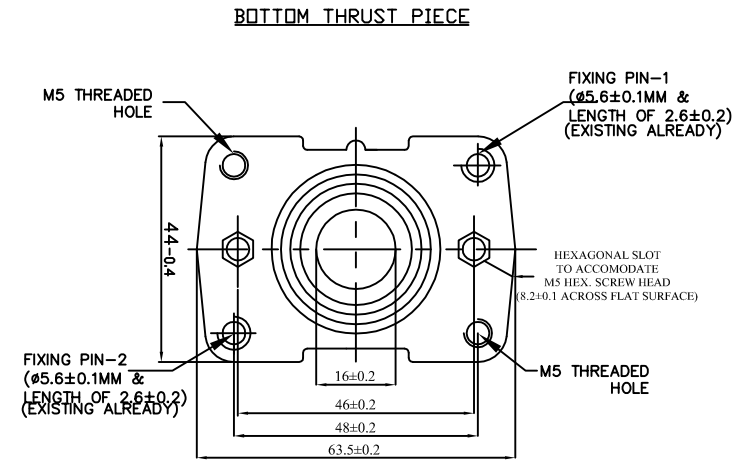
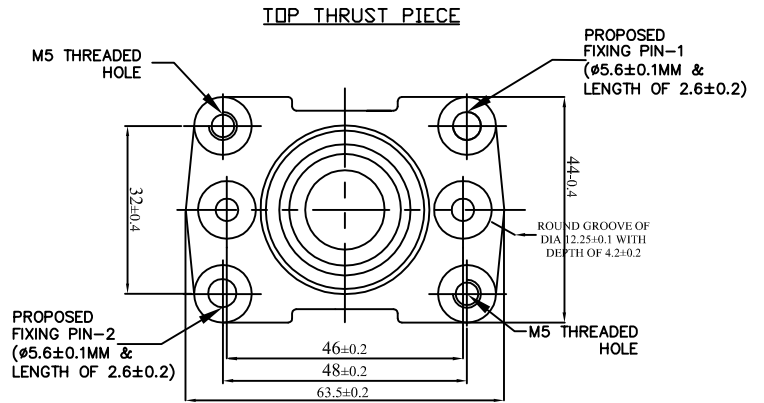
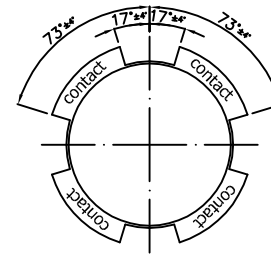


Fig.	Material/Materiale	N° Series / Serie	Finishing / Finitura
Filing Room Archivio	Thread quality tolerance Tolleranza filetti qualita' "6g-6S" UNI 5541-65	General tolerance for machining / Tolleranze generali per lavorazioni meccaniche: Coord. Punzon. N.C. mach. Coord. punzon. a C.N. JS11	Quality for linear dimension Qualita' per quote lineari
Prep. G. FORLANI Dis.	Resp. Dep. Uff. Tecnico Uff. Resp.	Title Titolo	Extra fine / Fine JS12 Median / Media JS13 Coarse / Grossolana JS15
App. P. GUIZZETTI		ROTARY AUXILIARY SWITCH 10 POLES	Lang. Lingua
Rev./Mod.	0   07.05.2010 : Emissione nuovo disegno	Apparatus Apparecchio	Scale Scala
ELECTRONSYSTEM MD S.r.l.		43911052	1:1 Sh. No. N° Pag. 2/2